

// Erberg

Engineering at its best.

www.erberg.com.tr

ERBERG meets the needs of the industry in the fastest and easily under one company, to provide its customers with the best was established to serve with quality and price guarantee.

Our company established in Istanbul, we have earned in the past corporate and private meets the most important demands of the industry.



-Hygienic (Sanitary) Valves

-Valves

-Fire Hydrants

-Dismantling Joints

-Checkvalves

-Water meters

-Strainers

-Vacuum Lifter

-Compensator

-Flanges

-Adapters

-Flexible Clamp

-Bottom Valve

-Crepe

-Pipe Fittings

-Sensors

Hygienic (Sanitary) Valves



*Hygienic valves surface roughness and design
It can be cleaned with its shape, it will not allow bacteria to grow,
highly resistant to corrosion and will not pollute the environment
It has been designed. Hygienic valves in food and chemical industry
Made of preferred 316L or 304L stainless steel.*

Connection:

Clamp , Welded, Tooth, Flanged

Material:

SS316 (SS304)

Seal:

EPDM, NBR, silicon, teflon

Pressure:

PN 6/ PN 10

Dimension:

DN 25 - DN 100

- **Butterfly Valve**
- **Gate Valve**
- **Needle Valve**
- **Steam Valves**
- + **Safety Valve**
- + **Globe Valve**
- **Control Valve**
- **Balance Valve**
- **Ball Valve**
- **Kondenstop**

Butterfly Valve



Dimensions: DN 150 - 2500

Pressure: PN 10 - 40

- Low weight, small volume requirement.
- Easy to place, install and maintain.
- Low running torque requirement.
- Long service life.
- Suitable for isolation and adjustment applications.
- Full tightness at nominal pressure.
- High performance in opening and closing.
- Wide range of actuators.

Gate Valve



Dimensions: DN 50 - 200

Pressure: PN 10 - 16

- **Elastomer seat, straight full bore gate valve.**
(Other standards are on request.)
- **Standard version: With flywheel and without extension shaft.**
- **Special design: On demand.**
- **Flanged gate valve.**
- **Fluid: Drinking water.**
- **100% protection against corrosion.**
- **Conforms to EN 1074-1 and 2 standards.**

Needle Valve



Dimensions: DN 200 - 1600

Pressure: PN 10 - 40

Optimized body that directs the flow better, minimal loss in full open position

- One piece cast body**
- Sealing ring outside the cavitation zone is long-lasting.**
- Double-sided bedded drive shaft with bushings that do not require maintenance and lubrication**
- Stainless steel internal parts**
- Abrasion and corrosion resistant bronze piston**

Safety Valve



Dimensions: DN 25 - 100

Pressure: PN 10 - 16

General Specifications

Working Temperature: -10 ... +120 ° C (16 Bar), 200 ° C (13 Bar), 250 ° C (11 Bar), 300 ° C (10 Bar).

Applications

Hot and cold water systems, liquid fluids without acid and alkali properties.

Globe Valve



Dimensions: DN 25 - 100

Pressure: PN 10 - 16

General Specifications

Working Temperature: -10 ... +120 ° C (16 Bar), 200 ° C (13 Bar), 250 ° C (11 Bar), 300 ° C (10 Bar).

Applications

Hot and cold water systems, liquid fluids without acid and alkali properties.

Control Valve



Dimensions: DN 40 - 900

Pressure: PN 10 - 40

Body Material Alternatives:

Ductile Iron, Carbon Steel, Stainless Steel

Nickel Aluminum Bronze

- Solenoid**
- Electronics**
- Pressure reducer**
- Proportional Pressure Reducer**
- Pressure Stabilization**
- Quick Evacuation**

Balance Valve



Dimensions: DN 50 - 250

Pressure: PN 10 - 25

Body Material Alternatives:

Ductile Iron

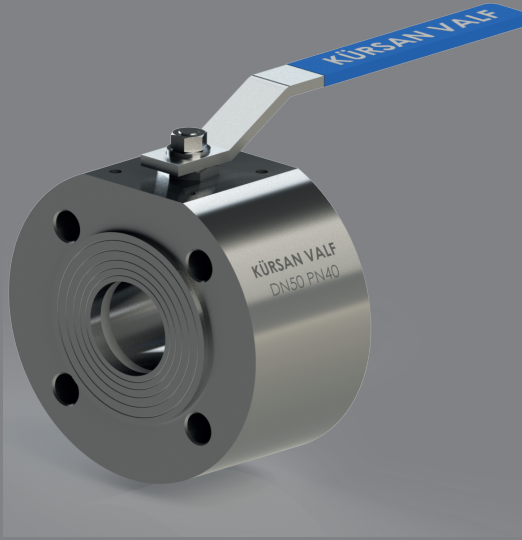
Balancing Valves, HVAC systems and installations

It fixes the flow rate to a certain value regardless of the changes in a certain pressure range.

and equal warming-cooling of all consumers

provides the opportunity to gain.

Ball Valve



Dimensions: DN 15 - 250

Pressure: PN 6 - 40

Specifies:

- Monoblock Ball Valve
- LUG Type Ball Valve
- Flanged Ball Valve
- Wafer Ball Valve
- Threaded Ball Valve
- Full Bore Ball Valve
- Welded Steel Ball Valve
- Natural Gas Ball Valve
- Welded Natural Gas Ball Valve
- Welded Petrol Ball Valve

Kondenstop



Dimensions: DN 15 - 50

Pressure: PN 16

General Specifications

Flanged / Threaded Connection types

Working Temperature :

-10 ... +120 °C (16 Bar),

200 °C (13 Bar), 250 °C (11 Bar), 300 °C (10 Bar)

Applications

Saturated steam applications

Fire Hydrants



Fire Hydrants; It is designed for the authorities to meet the water needs and react quickly to the fire in risky areas such as factories, warehouses, residential areas, green areas and industrial areas.

Above Ground Fire Hydrants; It consists of cast body, valve mechanism and shaft that controls this mechanism.

Underground Fire Hydrants; It consists of cast body, valve mechanism and shaft controlling this mechanism. When the shaft of the hydrant is rotated clockwise, it opens the hydrant proportionally by moving the valve in the flow direction.

Dismantling Joints



Dimensions: DN 100 - 2500

Pressure: PN 10 - 40

General :

- Easy assembly and disassembly possibility.
- ± 25 mm motility.
- The rigid type design allows installation without the need for additional connection equipment.

Checkvalves



Dimensions: DN 50 - 1400

Pressure: PN 6 - 40(Çekvalf tipine göre deęişmektedir.)

Varieties:

- Tilting Type Check Valve
- Nozzle Type Check Valve
- Axial Spring Check Valve
- Angle Seat Check Valve
- Hydraulic Brake Angle Seat Check Valve
- Hydraulic Brake Tilting Check Valve
- Swing Check Valve
- Stainless / Brass Disco Check Valve
- Lift Check Valve
- Dual Plate Check Valve

Water meters



Dimensions: DN 50 - 100

Pressure: PN 10 - 16

Water Meters; Equipments that have MID Certificate, suitable for use in drinking water and agricultural irrigation systems, and are used to measure water flow.

Ultrasonic Water Meters; It reads the water flow through the communication of two opposing probes that emit and detect ultrasonic waves.

When there is an acceleration in the water flow; The distortion in ultrasonic waves is detected by the probes and this distortion is converted into consumption values thanks to the processor.

Varieties:

- Ultrasonic Water Meters
- Pre-paid Water Meters

Strainers



Dimensions: DN 40 - 700 Dimensions: DN 100 - 1600

Pressure: PN 10 - 40

Pressure: PN 10 - 40

Y Type Strainers, They are equipment with large holding capacity, low pressure loss and easy to clean thanks to the Y design.

Basket (Mud) Type Strainer, It holds particles such as leaves, wood chips, pebbles in the pipeline and prevents such objects from damaging sensitive equipment.

Varieties:

- Y Type
- Basket Type
- Crepe Type

Vacuum Lifter



Dimensions: DN 25 - 300 Dimensions: DN 50 - 300

Pressure: PN 10 - 40

Pressure: PN 10 - 40

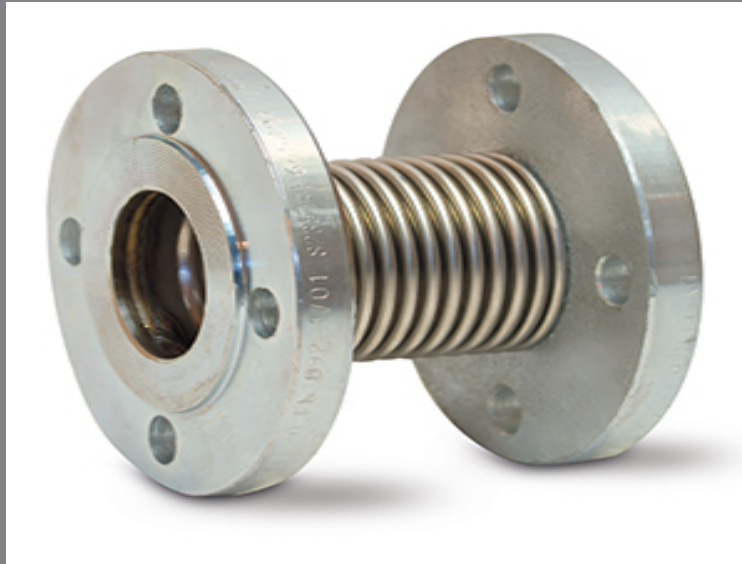
Dynamic Suction Cup Without Impact, Automatically operated single chamber air valve, Large orifice ensures the evacuation of large air mass during filling and evacuation of the pipeline. Small orifice discharges small amounts of air when the pipeline is working under pressure.

Double Balled Suction Cup, Double ball suction pads with cylindrical float. Large orifice ensures the evacuation of large air mass during filling and discharge of the pipeline. Small orifice evacuates small amounts of air when the pipeline is working under pressure.

Varieties:

- Y Type
- Basket Type
- Crepe Type

Compensator



The compensator is the element that absorbs the expansion and contraction of the pipelines and the mechanical vibrations in the installation.

Varieties:

- Axial Metal Bellows Expansion Joint
- External Compensator
- Limit Rod Type Dilatation Expansion Joint
- Universal Joint Earthquake Compensator
- Decorative Type Pipe Compensator
- Vibration Absorber Compensator (Marine Type)
- Double Nodular Gear Rubber Expansion Joint
- Vibration Absorber Rubber Expansion Joint
- U-Connection Compensator
- V-Link Compensator
- Braided Compensator

Flanges



KAYNAK
BOYUNLU FLANŞ



ISO-7005-1 DÜZ
FLANŞ



DIN NORMU KÖR
FLANŞ



ISO NORMU KÖR
FLANŞ



DESTEKLİ
GEVŞEK FLANŞ



WELDING NECK
FLANŞ



ASA NORMU SLIP-
ON FLANŞ



DİŞLİ FLANŞ



PE 100 POIETİLEN
FLANS



SOKET FLANŞ



BUHAR FLANŞI



KALORİFER
FLANŞI



BORULU FLANŞ

Adapters



It can be used with HDPE, steel, ductile, PVC, cast iron, GRP and asbestos concrete pipes.

It can be applied very quickly and easily in field conditions.

Varieties:

- Universal Adapter
- Flange Adapter
- HDPE Adapter
- Reduction Adapter

Flexible Clamp



Dimensions: 1" - 12"

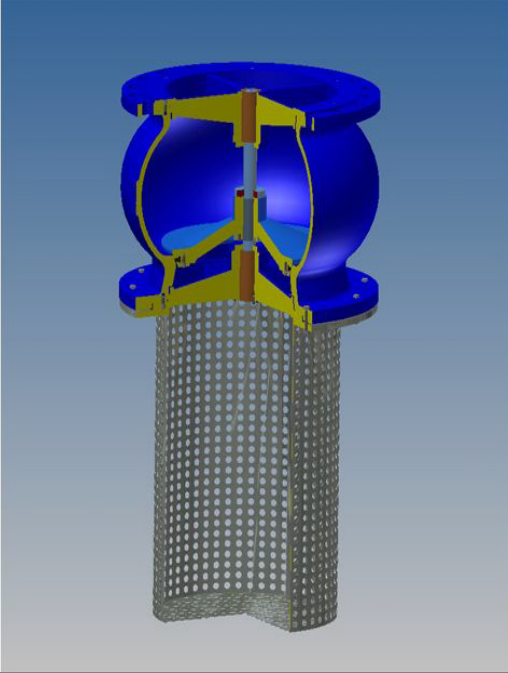
Body: GGG40 Ductile Iron

Temperature: -50 / +150 °C

Our grooved flexible coupling product, which prevents the breakage of the installation with the effect of shaking, is among our products that are highly preferred by our customers thanks to its fast installation in fire installations installed in buildings with high earthquake risk.

It is not only specific to the earthquake zone, but also preferred in all regions. Produced as galvanized, these couplings are resistant to pressure. It ensures that both the connection points and the entire installation are powered from the solid floor or wall, not deteriorating, disintegrating and crumbling in any vibration.

Bottom Valve



Dimensions: DN 100 - 600

Dimensions: DN 200 - 600

Pressure: PN 16

Pressure: PN 10 - 16

Bottom Valves, Bottom Valves are designed to prevent back flow in the suction pipe when the pump is turned off. Thanks to the spring-loaded valve system, the product reacts quickly and provides a quiet and shock-free closing.

Clapper (anti-Frog), It can be made of both cast and steel.

Crepe



Dimensions: 40 - 800

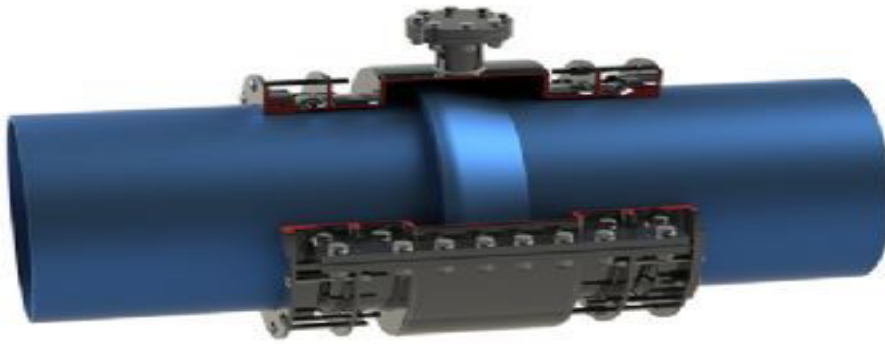
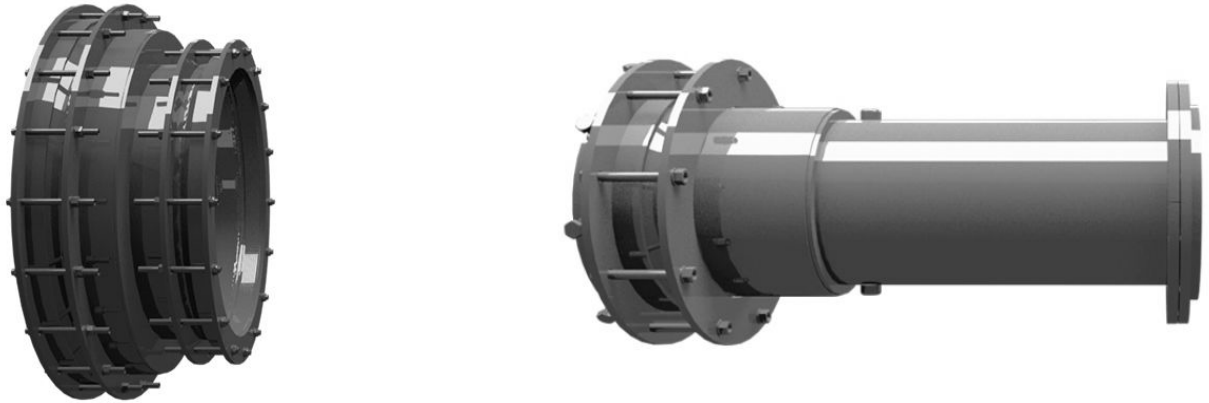
Pressure: PN 10 - 40

Crepe Type Strainers protect the system by being mounted at the pump suction or closed circuit irrigation system inlet.

These particles, which can spoil very expensive devices, are collected in the filter of the strainer and the particles are prevented from damaging the system.

The main function of the product is to hold particles such as leaves, wood chips, pebbles, etc. that may enter the pipeline.

Pipe Fittings



Dimensions: 40 - 4000

Pressure: PN 8 - 32

We provide special design and application possibilities for your projects and / or problems in difficult conditions with special production mechanical connection products.

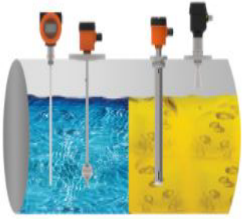
www.erberg.com.tr

Sensors

Şalter



Transmitter



Gösterge



ELS-tx



ECAPm



ECAP



ELW



ELG-T



ULTRASONİK SEVİYE



BD SENSORS HIDROSTATİK



PROCESS CONTROL SENSORS

- Level Control Sensors
- Flow Control Sensors
- Pressure Control Sensors
- Temperature Control Sensors
- Valve Sensors
- Water / oil / acid Leak Detectors
- Vacuum Switches

